

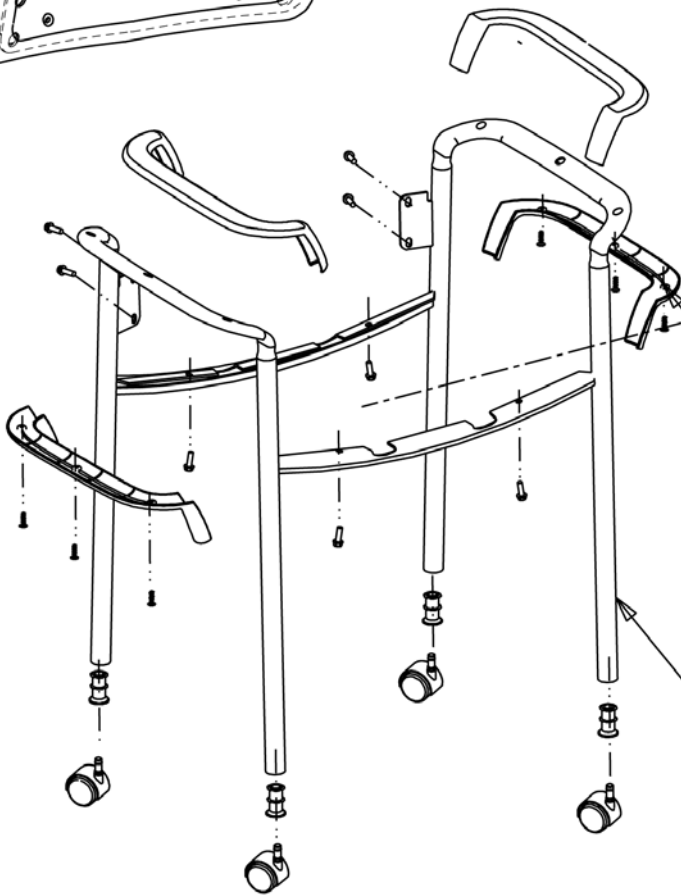
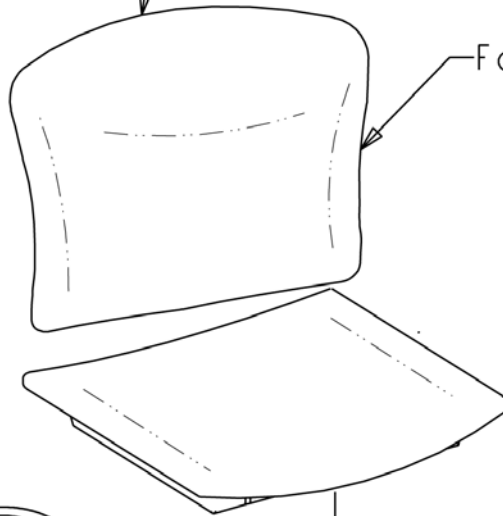
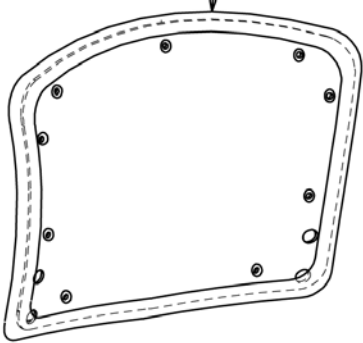
Upholstered Guest Chairs

Upholstered Outbacks will consist of structural support within thin urethane foam cushion. Support will be either thin plywood, cardboard, or plastic. Plastic support will have a recycle symbol.

Non-Upholstered (Plastic) outbacks will have a Recyclability symbol on the interior surface.

Structural Seat and Back Boards will be either wood or plastic. For plastic, follow Recyclability symbol.

Foam Cushions are Urethane.



Plastic arms that are non-structural (attach over a steel support) are PU or PP and may have a Recyclability symbol.

Plastic arms that are structural (Ex: connect 2 legs of frame) may have a steel insert for support.

Tube and Wire frames are steel.
Wood frames are solid hardwood.