

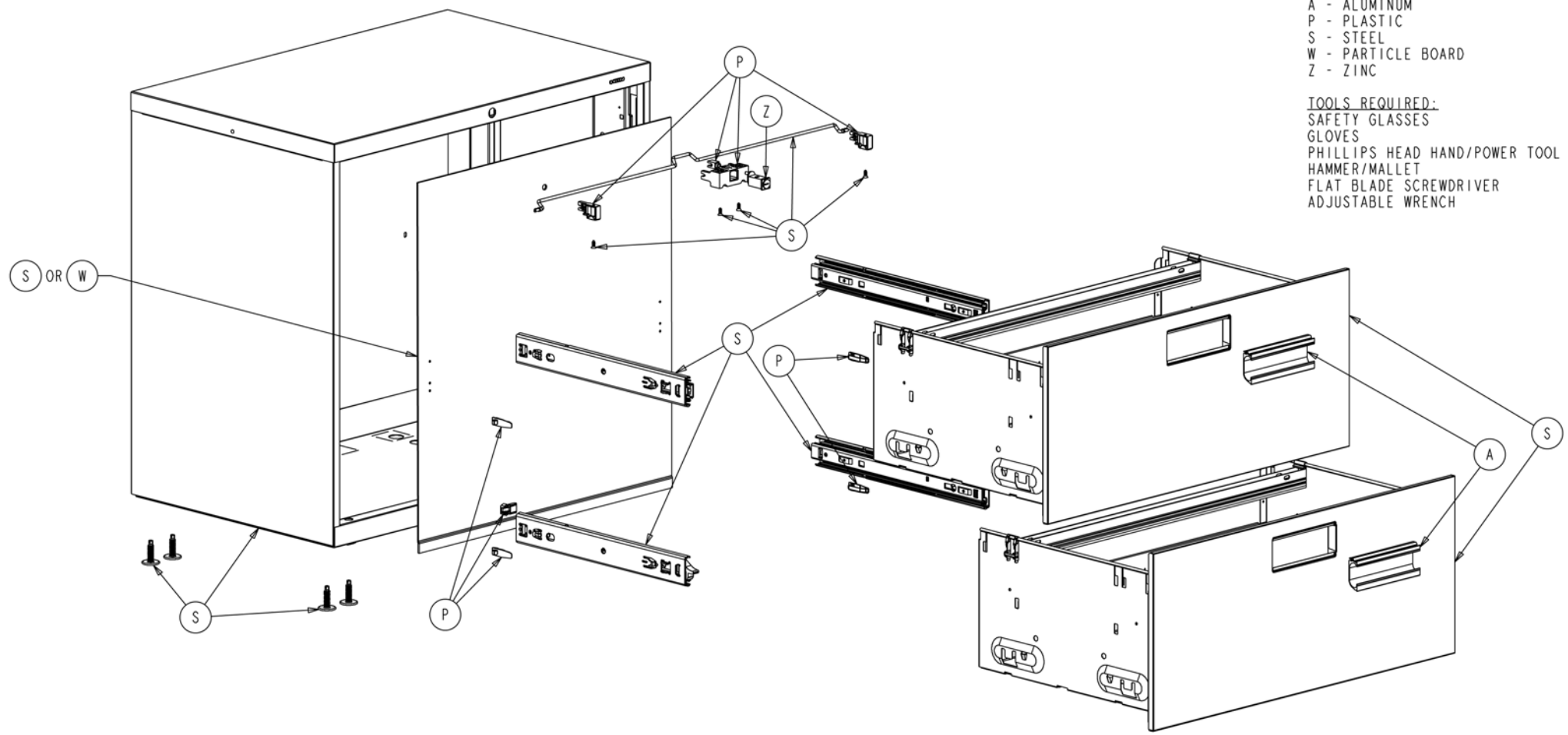
THE HON COMPANY
TITLE RECYCLABLE MATERIALS - LATERAL

MAT'L -
FINISH -
THIRD ANGLE PROJECTION DO NOT SCALE DRAWING

UNLESS X.XX" ±0.03  
NOTED X.XXX" ±0.015  
X.XXXX" ±0.0050  
X.X" ±0.5  
J ARE METRIC X.X" ±2  
ARE CRITICAL X.X" ±0.5  
DIMENSIONS ARE OUTSIDE TO OUTSIDE

NO RECYCLABLE MATERIALS - LATERAL	SHEET 1 OF 1	REV
BY CAO	REPLACEABLE? N	T: YES N: NO R: RESTRICTED

THIS DRAWING IS THE CONFIDENTIAL AND PROPRIETARY INFORMATION (AND IS THE PROPERTY) OF THE ENTITY IDENTIFIED HEREON AND/OR HNI TECHNOLOGIES, INC. IT IS SUBMITTED SUBJECT TO RETURN UPON REQUEST AND UPON THE EXPRESSED CONDITION THAT THE INFORMATION CONTAINED HEREIN WILL BE HELD IN CONFIDENCE AND WILL BE USED SOLELY FOR THE BENEFIT OF THE OWNERS.



- MATERIALS:**  
A - ALUMINUM  
P - PLASTIC  
S - STEEL  
W - PARTICLE BOARD  
Z - ZINC

- TOOLS REQUIRED:**  
SAFETY GLASSES  
GLOVES  
PHILLIPS HEAD HAND/POWER TOOL  
HAMMER/MALLET  
FLAT BLADE SCREWDRIVER  
ADJUSTABLE WRENCH



REVISION	RELEASE NO.	DATE XX/XX/XX	INITIALS ---	CHECKER	PDM/ECR NO.	NOTES	RECYCLABLE MATERIALS - LATERAL	NO
----------	-------------	------------------	-----------------	---------	-------------	-------	--------------------------------	----