

THE HON COMPANY

MAT'L -
FINISH -
THIRD ANGLE PROJECTION
DO NOT SCALE DRAWING

UNLESS X.XX" ± 0.03
NOTED X.XXX" ± 0.015
X.XXXX" ± 0.0050
X° ± 2
X.X° ± 0.5
ARE METRIC
ARE CRITICAL
DIMENSIONS ARE OUTSIDE TO OUTSIDE

NO DISASSEMBLY MATERIALS

SHEET 1 OF 1

REV

BY

KLK

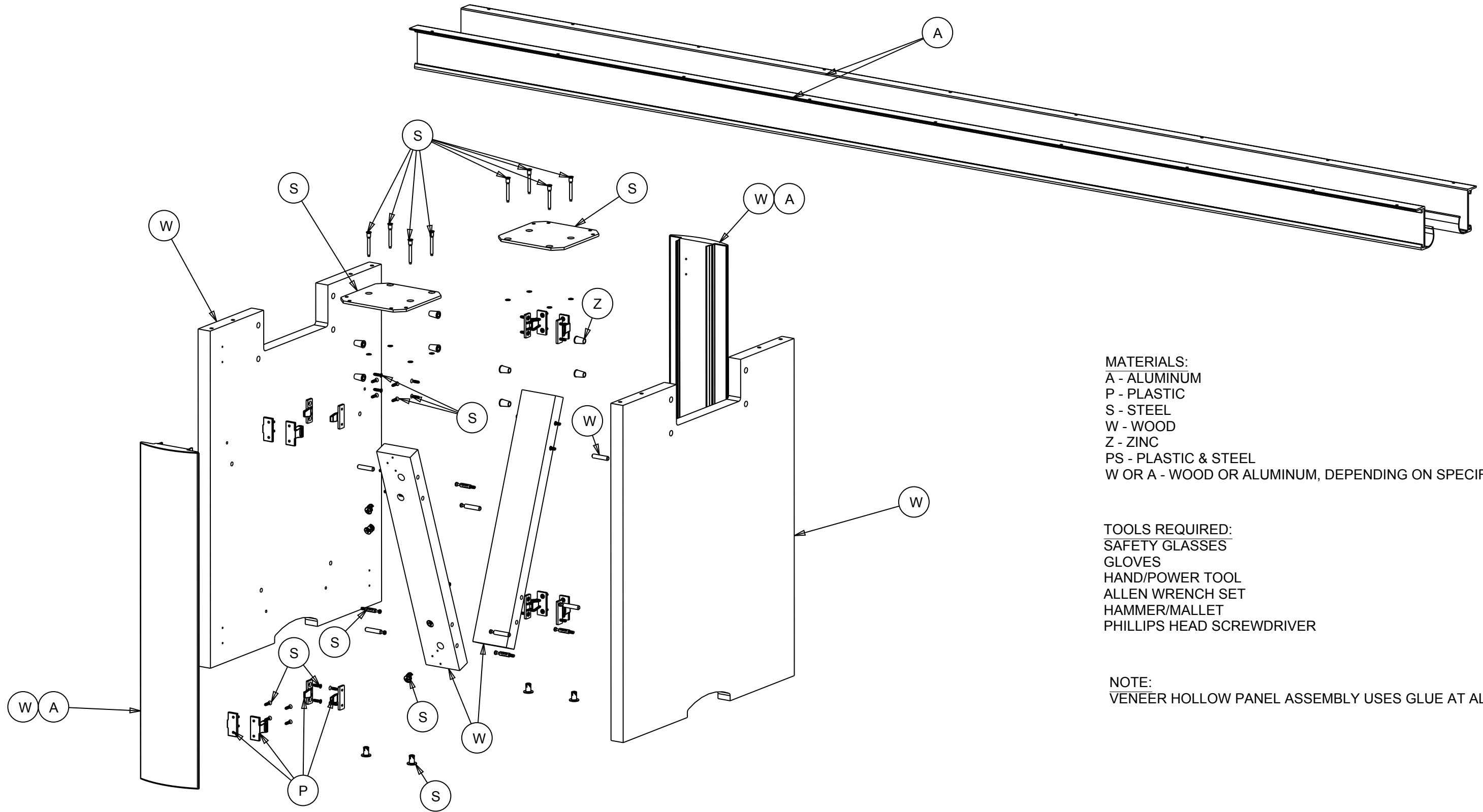
REPLACEABLE?

N

Y=YES N=NO
R=RESTRICTED

THIS DRAWING IS THE CONFIDENTIAL AND PROPRIETARY INFORMATION (AND IS THE PROPERTY) OF THE ENTITY IDENTIFIED HEREON AND/OR HNI TECHNOLOGIES, INC. IT IS SUBMITTED SUBJECT TO RETURN UPON REQUEST AND UPON THE EXPRESSED CONDITION THAT THE INFORMATION CONTAINED HEREIN WILL BE HELD IN CONFIDENCE AND WILL BE USED SOLELY FOR THE BENEFIT OF THE OWNERS.

TITLE
DISASSEMBLY MATERIALS - HOLLOW PANEL



MATERIALS:

- A - ALUMINUM
- P - PLASTIC
- S - STEEL
- W - WOOD
- Z - ZINC
- PS - PLASTIC & STEEL
- W OR A - WOOD OR ALUMINUM, DEPENDING ON SPECIFICATION

TOOLS REQUIRED:

- SAFETY GLASSES
- GLOVES
- HAND/POWER TOOL
- ALLEN WRENCH SET
- HAMMER/MALLET
- PHILLIPS HEAD SCREWDRIVER

NOTE:

VENEER HOLLOW PANEL ASSEMBLY USES GLUE AT ALL JOINTS

REVISION	RELEASE NO.	DATE	ORIG.	CHECKER	PDM/ECR NO.	NOTES
		XX/XX/XX	INITIALS	---		