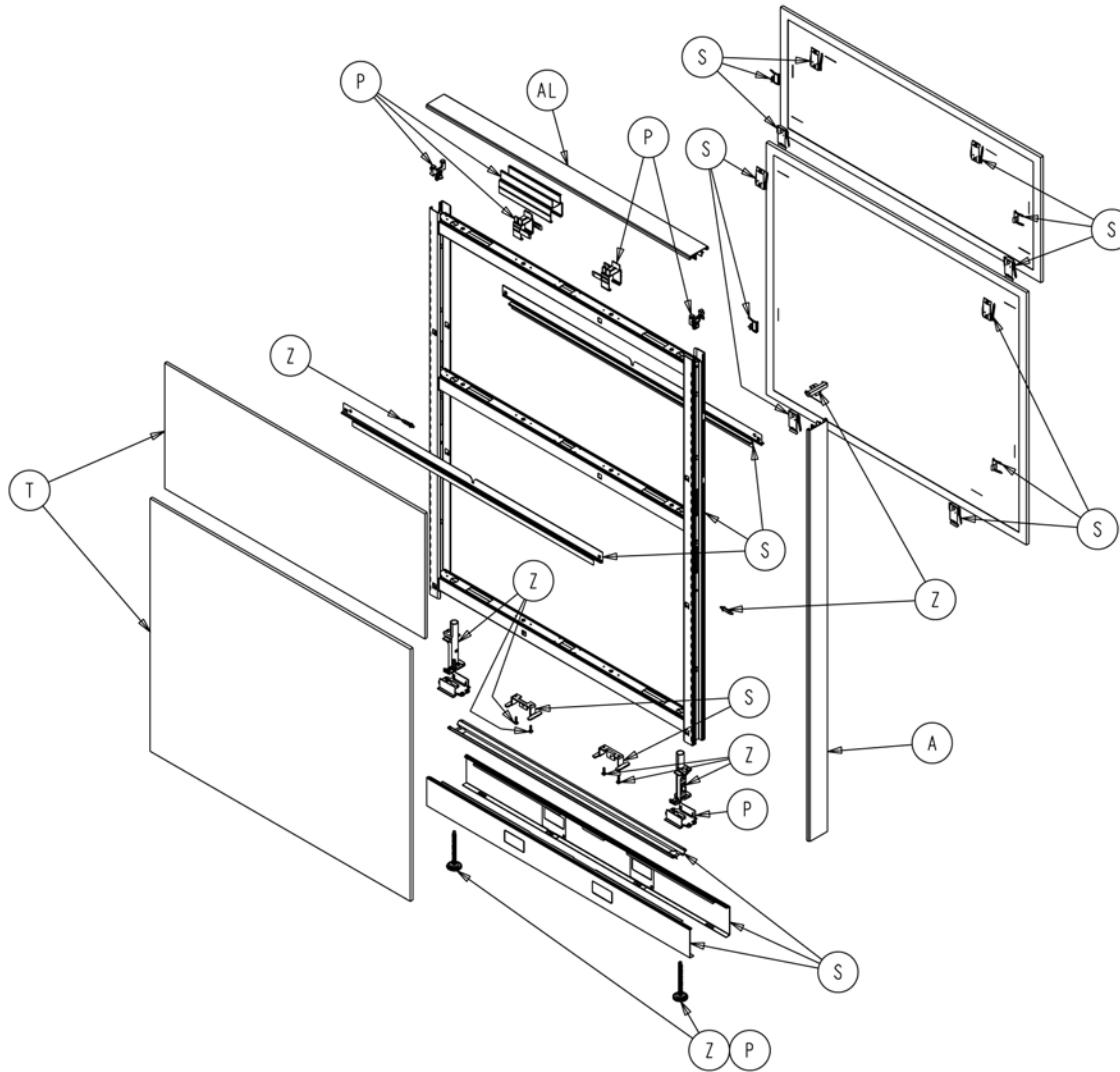


THE HON COMPANY		MAT'L	UNLESS NOTED		NO		RECYCLABLE MATERIALS - ABOUND PANEL		THIS DRAWING IS THE CONFIDENTIAL AND PROPRIETARY INFORMATION (AND IS THE PROPERTY) OF THE ENTITY IDENTIFIED HEREON AND/OR HNI TECHNOLOGIES, INC. IT IS SUBMITTED SUBJECT TO RETURN UPON REQUEST AND UPON THE EXPRESSED CONDITION THAT THE INFORMATION CONTAINED HEREIN WILL BE HELD IN CONFIDENCE AND WILL BE USED SOLELY FOR THE BENEFIT OF THE OWNERS.	
DESCRIPTION		FINISH	X.XX ±0.03 X.XXX ±0.015 X.XXXX ±0.0050		SHEET 1 OF 1		REV			
		THIRD ANGLE PROJECTION DO NOT SCALE DRAWING	I ARE METRIC X.X ±2 O ARE CRITICAL X.X ±0.5 DIMENSIONS ARE OUTSIDE TO OUTSIDE		BY CAO		REPLACEABLE? N		Y: YES N: NO R: RESTRICTED	



- MATERIALS:**
A - ALUMINUM
P - PLASTIC
S - STEEL
T - TILE (MAY INCLUDE ANY COMBINATION OF THE FOLLOWING)
- ALUMINUM
- FABRIC
- FIBERGLASS
- GLASS
- HARDBOARD
- PLASTIC
- POLY-RESIN
- RUBBER
- STEEL
Z - ZINC
- TOOLS REQUIRED:**
SAFETY GLASSES
GLOVES

HON.

REVISION	RELEASE NO.	DATE	INITIALS	CHECKER	PDM/ECR NO.	NOTES	RECYCLABLE MATERIALS - ABOUND PANEL	NO
		XX/XX/XX	---					