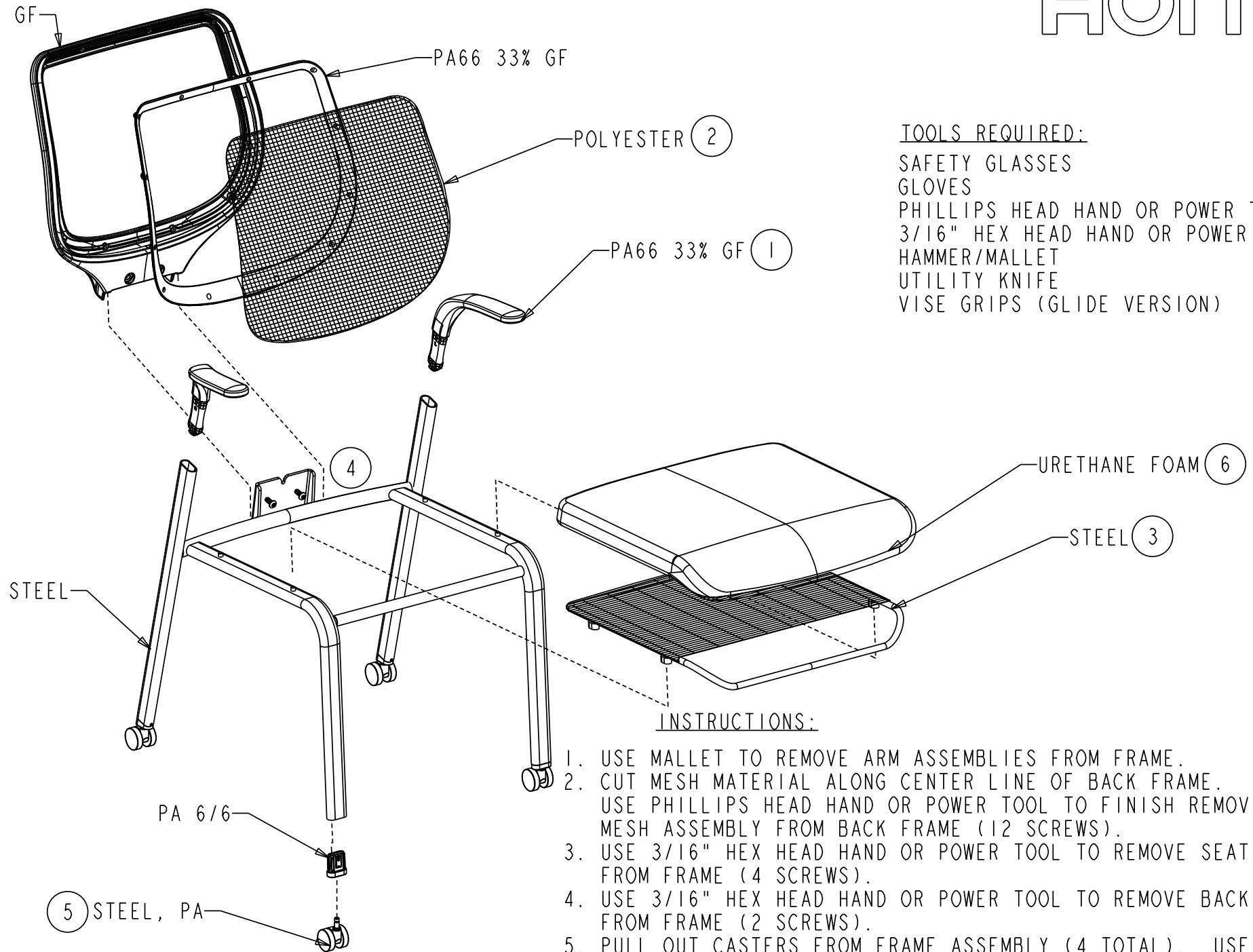


NUCLEUS MULTI-PURPOSE CHAIR DISASSEMBLY

HON



TOOLS REQUIRED:

- SAFETY GLASSES
- GLOVES
- PHILLIPS HEAD HAND OR POWER TOOL
- 3/16" HEX HEAD HAND OR POWER TOOL
- HAMMER/MALLET
- UTILITY KNIFE
- VICE GRIPS (GLIDE VERSION)

INSTRUCTIONS:

1. USE MALLET TO REMOVE ARM ASSEMBLIES FROM FRAME.
2. CUT MESH MATERIAL ALONG CENTER LINE OF BACK FRAME. USE PHILLIPS HEAD HAND OR POWER TOOL TO FINISH REMOVING MESH ASSEMBLY FROM BACK FRAME (12 SCREWS).
3. USE 3/16" HEX HEAD HAND OR POWER TOOL TO REMOVE SEAT FROM FRAME (4 SCREWS).
4. USE 3/16" HEX HEAD HAND OR POWER TOOL TO REMOVE BACK FROM FRAME (2 SCREWS).
5. PULL OUT CASTERS FROM FRAME ASSEMBLY (4 TOTAL). USE VISE GRIPS TO REMOVE GLIDES FROM FRAME ASSEMBLY.
6. REMOVE URETHANE FOAM AND SEAT MESH FROM STEEL FRAME BY CUTTING WITH A UTILITY KNIFE