

THE HON COMPANY

MAT'L

UNLESS X.XX ±0.03
NOTED X.XXX ±0.015
X.XXXX ±0.0050
X ±.2
X.X ±0.5
ARE METRIC
ARE CRITICAL
DIMENSIONS ARE OUTSIDE TO OUTSIDE

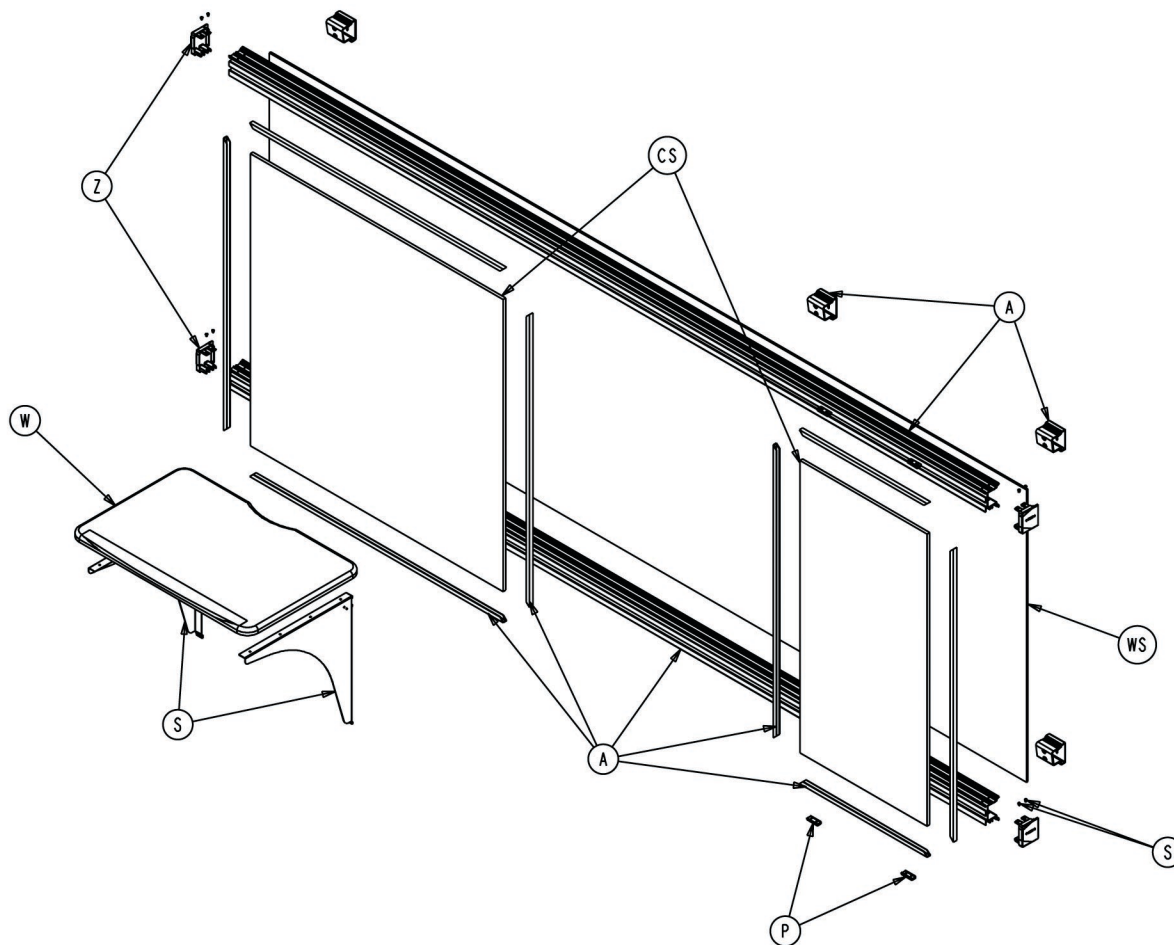
NO RECYCLABLE MATERIALS

THIS DRAWING IS THE CONFIDENTIAL AND PROPRIETARY INFORMATION (AND IS THE PROPERTY) OF THE ENTITY IDENTIFIED HEREON AND/OR HNI TECHNOLOGIES, INC. IT IS SUBMITTED SUBJECT TO RETURN UPON REQUEST AND UPON THE EXPRESSED CONDITION THAT THE INFORMATION CONTAINED HEREIN WILL BE HELD IN CONFIDENCE AND WILL BE USED SOLELY FOR THE BENEFIT OF THE OWNERS.

TITLE
RECYCLABLE MATERIALS - WALL RAIL SYSTEM

FINISH
THIRD ANGLE PROJECTION DO NOT SCALE DRAWING

SHEET 1 OF 1 REV
BY CSR REPLACEABLE? N Y: YES N: NO R: RESTRICTED



MATERIALS:

- A - ALUMINUM
- P - PLASTIC
- S - STEEL
- W - WOOD
- Z - ZINC
- WS - WOOD & STEEL
- CS - CORRUGATED & STEEL

TOOLS REQUIRED:

- SAFETY GLASSES
- GLOVES
- 5/64" ALLEN WRENCH
- PHILLIPS HEAD
- HAND/POWER TOOL
- HAMMER/MALLET

HON®

REVISION

RELEASE NO.

DATE

ORIG.

CHECKER

PDM/ECR NO.

NOTES

RECYCLABLE MATERIALS NO