

THE HON COMPANY

MAT'L

UNLESS X.XX ±0.03
NOTED X.XXX ±0.015
X.XXXX ±0.0050
ARE METRIC X.X ±0.5
ARE CRITICAL X.X ±0.5
DIMENSIONS ARE OUTSIDE TO OUTSIDE

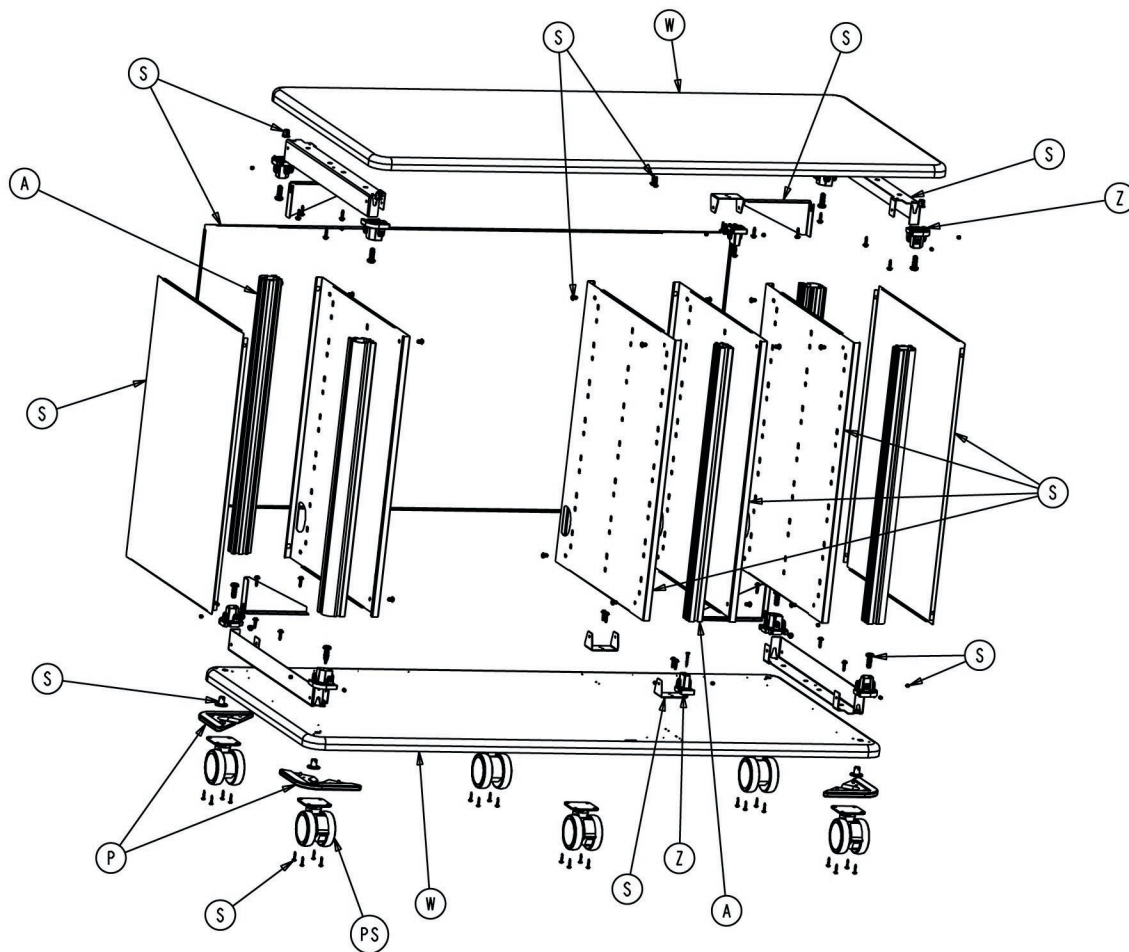
NO RECYCLABLE MATERIALS

THIS DRAWING IS THE CONFIDENTIAL AND PROPRIETARY INFORMATION (AND IS THE PROPERTY) OF THE ENTITY IDENTIFIED HEREON AND/OR HNI TECHNOLOGIES, INC. IT IS SUBMITTED SUBJECT TO RETURN UPON REQUEST AND UPON THE EXPRESSED CONDITION THAT THE INFORMATION CONTAINED HEREIN WILL BE HELD IN CONFIDENCE AND WILL BE USED SOLELY FOR THE BENEFIT OF THE OWNERS.

TITLE
RECYCLABLE MATERIALS - MOD. STORAGE CAB.

FINISH
THIRD ANGLE PROJECTION DO NOT SCALE DRAWING

SHEET 1 OF 1 REV
BY CSR REPLACEABLE? N T: YES N: NO R: RESTRICTED



MATERIALS:
A - ALUMINUM
P - PLASTIC
S - STEEL
W - WOOD
Z - ZINC
PS - PLASTIC & STEEL

TOOLS REQUIRED:
SAFETY GLASSES
GLOVES
#2 SQUARE HEAD
HAND/POWER TOOL
ALLEN WRENCH SET
HAMMER/MALLET

HON®

REVISION

RELEASE NO.

DATE

ORIG.

CHECKER

PDM/ECR NO.

NOTES

RECYCLABLE MATERIALS NO