

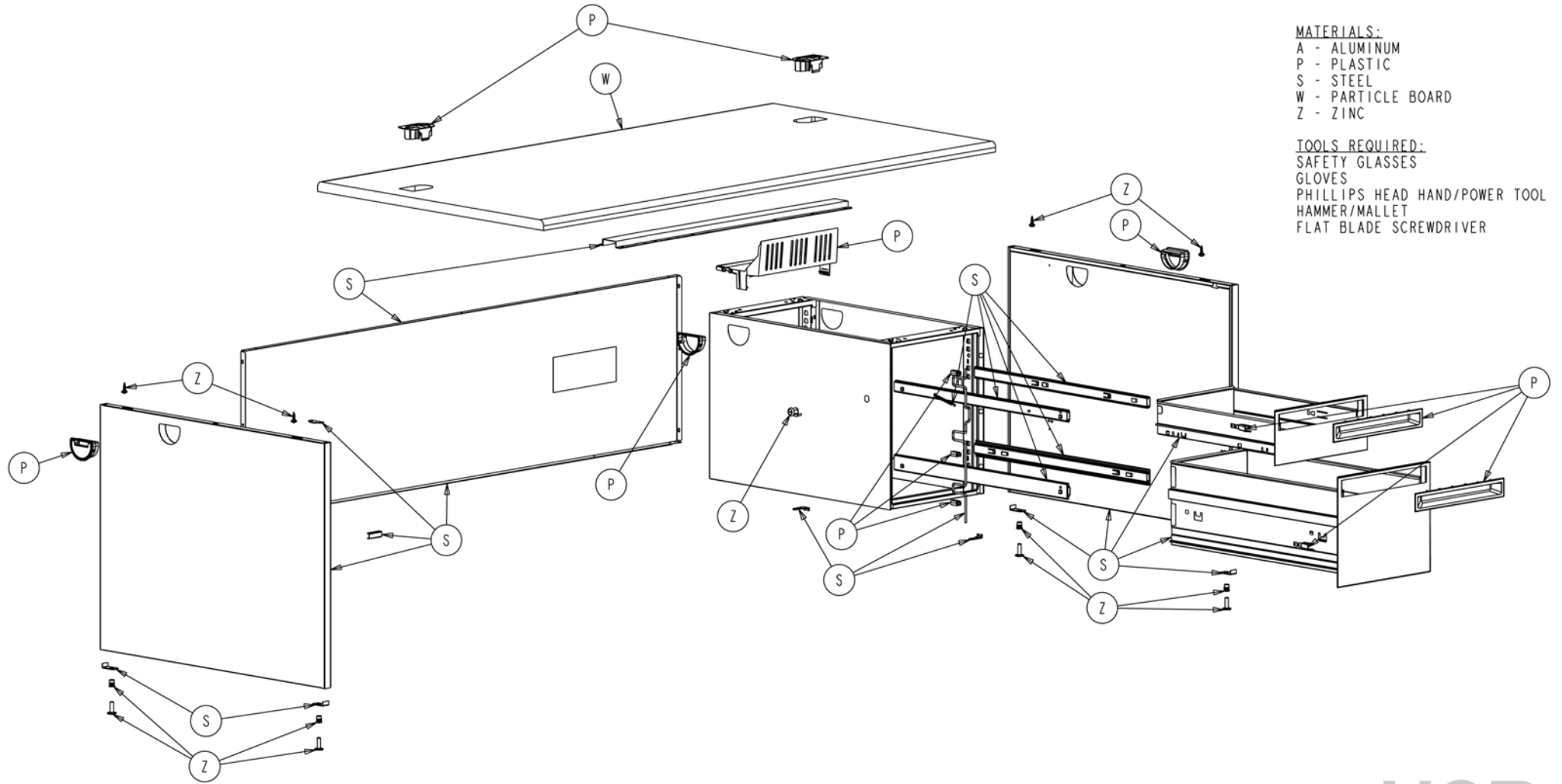
THE HON COMPANY
 TITLE
 DESK RECYCLABLE MATERIALS

MAT'L -
 FINISH -
 THIRD ANGLE PROJECTION DO NOT SCALE DRAWING

UNLESS X.XX" ±0.03
 NOTED X.XXX" ±0.015
 X.XXXX" ±0.0050
 ARE METRIC X.X" ±0.5
 ARE CRITICAL X.X" ±0.5
 DIMENSIONS ARE OUTSIDE TO OUTSIDE

NO RECYCLABLE MATERIALS
 SHEET 1 OF 1 REV
 BY CAO REPLACEABLE? N T: YES N: NO R: RESTRICTED

THIS DRAWING IS THE CONFIDENTIAL AND PROPRIETARY INFORMATION (AND IS THE PROPERTY) OF THE ENTITY IDENTIFIED HEREON AND/OR HNI TECHNOLOGIES, INC. IT IS SUBMITTED SUBJECT TO RETURN UPON REQUEST AND UPON THE EXPRESSED CONDITION THAT THE INFORMATION CONTAINED HEREIN WILL BE HELD IN CONFIDENCE AND WILL BE USED SOLELY FOR THE BENEFIT OF THE OWNERS.



MATERIALS:
 A - ALUMINUM
 P - PLASTIC
 S - STEEL
 W - PARTICLE BOARD
 Z - ZINC

TOOLS REQUIRED:
 SAFETY GLASSES
 GLOVES
 PHILLIPS HEAD HAND/POWER TOOL
 HAMMER/MALLET
 FLAT BLADE SCREWDRIVER



REVISION	RELEASE NO.	DATE	INITIALS	CHECKER	PDM/ECR NO.	NOTES	RECYCLABLE MATERIALS	NO
		XX/XX/XX	---					