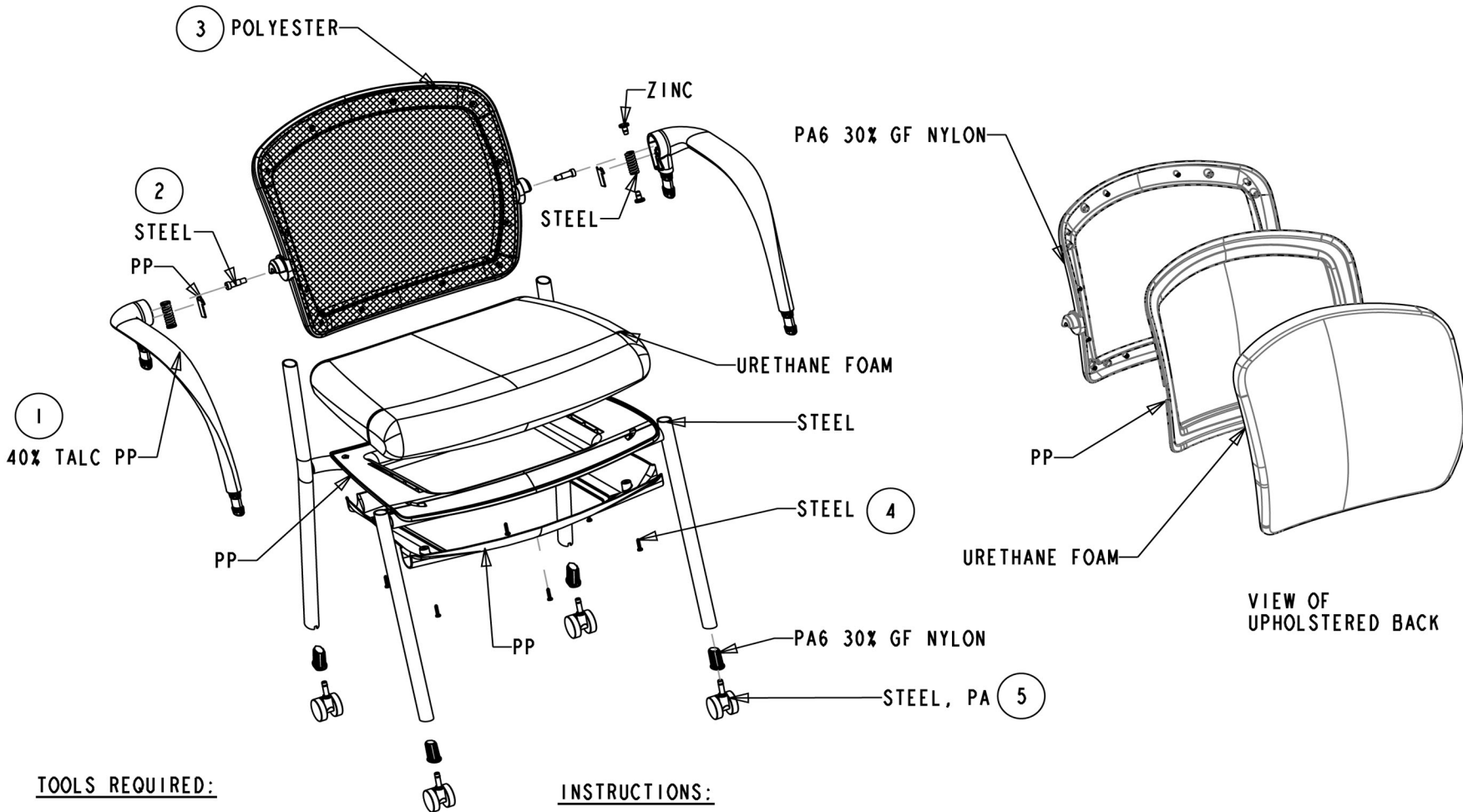


HON®

CERES GUEST DISASSEMBLY - FIXED ARMS



TOOLS REQUIRED:

SAFETY GLASSES
GLOVES
PHILLIPS HEAD HAND OR POWER TOOL
3/16" HEX HEAD HAND OR POWER TOOL
HAMMER/MALLET
UTILITY KNIFE
VISE GRIPS (GLIDE VERSION)

INSTRUCTIONS:

1. USE MALLET TO REMOVE ARM/BACK ASSY FROM FRAME.
2. USE 3/16" HEX HAND OR POWER TOOL TO REMOVE SHOULDER SCREWS FROM ARM/BACK ASSEMBLY (1 LH, 1 RH). THIS WILL REMOVE THE LH AND RH ARMS FROM THE BACK FRAME.
3. CUT MESH MATERIAL ALONG CENTERLINE OF BACK FRAME. USE PHILLIPS HEAD HAND OR POWER TOOL TO FINISH REMOVING MESH ASSEMBLY FROM BACK FRAME (12 SCREWS).
4. USE PHILLIPS HEAD HAND OR POWER TOOL TO REMOVE SEAT FROM FRAME (7 SCREWS).
5. PULL OUT CASTERS FROM FRAME ASSEMBLY (4 TOTAL). USE VISE GRIPS TO REMOVE GLIDES FROM ASSEMBLY.